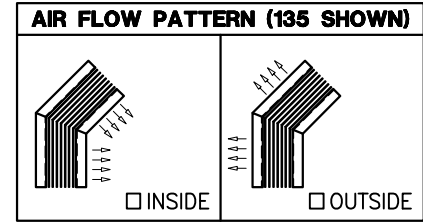
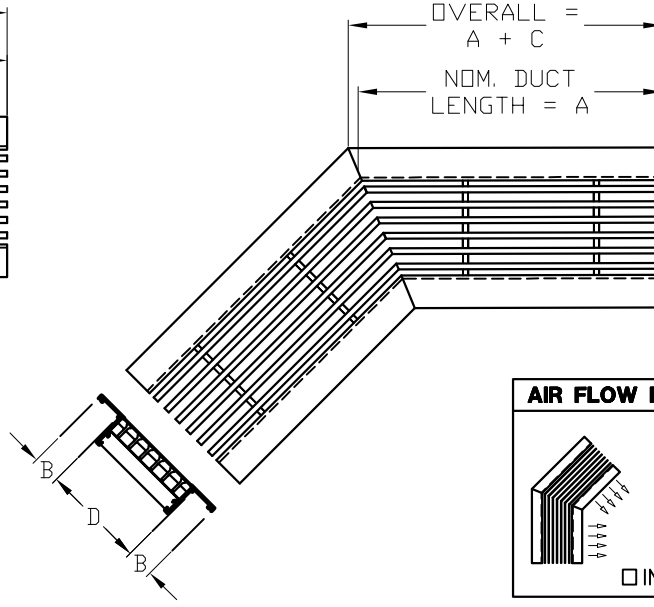
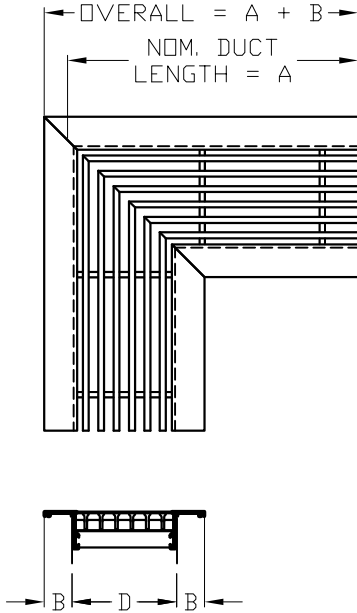


MC90, MC135, MCSI AND MCSO MITERED CORNERS FOR LBP

MC90 - 90° MITERED CORNER

MC135 - 135° MITERED CORNER



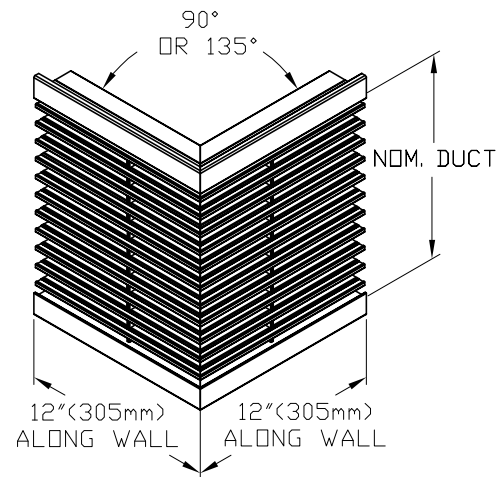
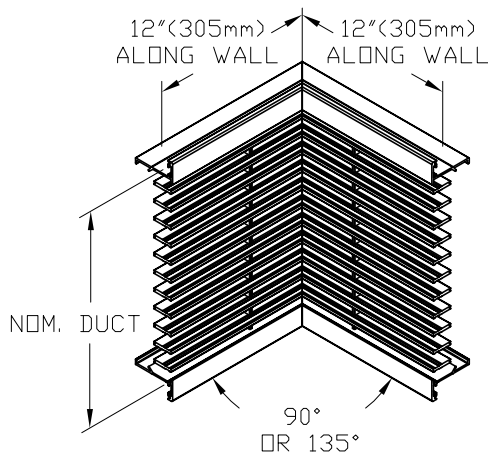
INTENDED FOR T-BAR LAY-IN APPLICATIONS ONLY

D = NOM. DUCT SIZE	A
LARGER THAN 8" (203) TO 14" (356mm)	18" (457mm)
EQUAL TO OR LESS THAN 8" (203mm)	12" (305mm)

FRAME TYPE	B	C
1250	7/8" (22mm)	3/8" (10mm)
1000	5/8" (16mm)	1/4" (6mm)
750	3/8" (10mm)	5/32" (4mm)
500	1/8" (3mm)	1/16" (1mm)
250	-5/32" (4mm)	-1/16" (1mm)

MCSI - MITERED CORNER SIDEWALL INSIDE

MCSO - MITERED CORNER SIDEWALL OUTSIDE

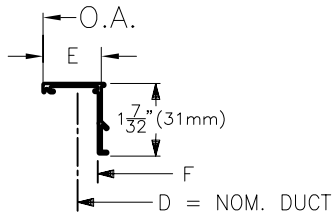


ALL METRIC DIMENSIONS () ARE SOFT CONVERTED. IMPERIAL DIMENSIONS ARE CONVERTED TO METRIC AND ROUNDED TO THE NEAREST MILLIMETER.

PROJECT:		PRICE [®]	
ENGINEER:		<i>MG</i>	MC-LBP MITERED CORNER LINEAR GRILLES FOR LBP
CUSTOMER:		266985	
SUBMITTAL DATE:	SPEC. SYMBOL:	2019/01/21	

MC90, MC135, MCSI AND MCSO MITERED CORNERS FOR LBP

FRAME OPTIONS



FRAME STYLE	FRAME WIDTH (E)	OVERALL (O.A.)	STACK WIDTH (F)
<input type="checkbox"/> 1250	1 1/4" (32mm)	D + 1 3/32" (44mm)	D - 1/16" (17mm)
<input type="checkbox"/> 1000	1" (25mm)	D + 1 3/32" (31mm)	D - 1/16" (17mm)
<input type="checkbox"/> 750	3/4" (19mm)	D + 3/32" (18mm)	D - 1/16" (17mm)
<input type="checkbox"/> 500	1/2" (13mm)	D + 7/32" (6mm)	D - 1/16" (17mm)
<input type="checkbox"/> 250	1/4" (6mm)	D - 9/32" (7mm)	D - 1/16" (17mm)

CORE STYLES

1/4" SPACING	1/2" SPACING		7/16" SPACING PENCIL PROOF
<input type="checkbox"/> 15A 3/32"(2mm) BARS <p>0° DEFLECTION</p>	<input type="checkbox"/> 15B 3/32"(2mm) BARS <p>0° DEFLECTION</p>	<input type="checkbox"/> 25B 3/16"(5mm) BARS <p>0° DEFLECTION</p>	<input type="checkbox"/> 25C 3/16"(5mm) BARS <p>0° DEFLECTION</p>
<input type="checkbox"/> 16A 1/8"(3mm) BARS <p>15° DEFLECTION</p>	<input type="checkbox"/> 16B 1/8"(3mm) BARS <p>15° DEFLECTION</p>	<input type="checkbox"/> 26B 3/16"(5mm) BARS <p>15° DEFLECTION</p>	<input type="checkbox"/> 26C 3/16"(5mm) BARS <p>15° DEFLECTION</p>
		<input type="checkbox"/> 27B 3/16"(5mm) BARS <p>30° DEFLECTION</p>	<input type="checkbox"/> 27C 3/16"(5mm) BARS <p>30° DEFLECTION</p>

- NOTES:**
- FOR FLAT MITRE WITH 16A, 16B, 26B, 26C, 27B AND 27C FLOW DEFLECTION MUST BE SPECIFIED.
 - FACTORY TOLERANCE ± 1/32" (± 1mm)
 - ANGULAR TOLERANCE ± 2°

FINISH:
 B12 WHITE (OPTIONAL FINISHES AVAILABLE)

ALL METRIC DIMENSIONS () ARE SOFT CONVERTED. IMPERIAL DIMENSIONS ARE CONVERTED TO METRIC AND ROUNDED TO THE NEAREST MILLIMETER.

PROJECT:		
ENGINEER:		
CUSTOMER:		266985
SUBMITTAL DATE:	SPEC. SYMBOL:	2019/01/21

MC-LBP
 MITERED CORNER
 LINEAR GRILLES
 FOR LBP